



**WZ1-FC-BCK-30 Included Parts**

Item	Part Name	Qty
	Hardware Kit (WZ5-WAK200-HWK)	1
(A)	Spacers, 20mm	8
(B)	U-Bolts, 20mm	2
(C)	Nuts	4
(D)	Washers	4
(E)	Quick Clip Pins	4
(F)	Strap Brackets, 20mm	2
(G)	Axle, 20mm x 91.7cm	1
(H)	Wheels, WZ1-30UB	2
	Robo-Cup RC1-TRC	1

**Step 1. Determine which included mounting hardware type is appropriate for your application. Use U-Bolts (B) to mount axle (G) to frame structure. Use Strap Brackets (F) to mount axle to platforms.**



**Step 2. Mount U-Bolts (B) to frame ... or Strap Brackets (F) to platform.**



**This step may require drilling holes.**

**Step 3. Install Axle (G); tighten Nuts (C) install Spacers (A), as required.**

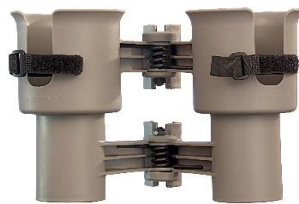
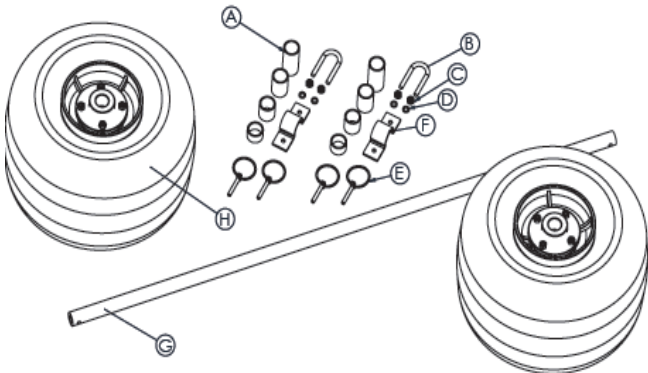


**Step 4. Install Wheels (H) and Quick Clip Pins (E)**



**Step 5. Test Wheel Axle Kit on your application prior to loading heavy payloads to ensure proper assembly and functionality.**

**Note: Wheel Axle Kits are designed and intended for use at walking speed only. Not for use behind motorized vehicles.**



**Robo-Cup**